



Technical specification for Small Form Factor Pluggable (SFP)


SCP6F44-GL-#WH


- | | | |
|--|---|---|
| <input type="checkbox"/> 155.52Mb/s | <input type="checkbox"/> 622.08Mb/s | <input checked="" type="checkbox"/> other <u>FC and GbE</u> |
| <input type="checkbox"/> Short Haul | <input type="checkbox"/> Long Haul | <input type="checkbox"/> other _____ |
| <input type="checkbox"/> Intermediate Reach | <input type="checkbox"/> Long Reach | <input type="checkbox"/> other _____ |
| <input type="checkbox"/> Single 5.0V | <input checked="" type="checkbox"/> Single 3.3V | <input type="checkbox"/> other _____ |
| <input checked="" type="checkbox"/> 1.3 um | <input type="checkbox"/> 1.55 um | <input type="checkbox"/> other _____ |
| <input checked="" type="checkbox"/> W/Diagnostic Monitor | <input type="checkbox"/> W/O Diagnostic Monitor | |



Sumitomo Electric reserves the right to make changes in this specification without prior notice.
Sumitomo Electric Industries, Ltd. and ExceLight Communications, Inc. have been granted license to the
following patents under a license agreement with Finisar corporation: US5,019,769, US6,439,918 B1

#Safety Precaution Symbols This specification uses various picture symbols to prevent possible injury to operator or other persons or damage to properties for appropriate use of the product. The symbols and definitions are as shown below. Be sure to be familiar with these symbols before reading this specification.

 **Caution** Wrong operation without following this instruction may lead to human injury or property damage.

 **Warning** Wrong operation without following this instruction may lead to human death or serious injury.

Examples of picture symbols



indicates prohibition of actions. Action details are explained thereafter.



indicates compulsory actions or instructions. Action details are explained thereafter.

1 General

Features and applications of SCP6F44-GL are listed below.

Features

- RoHS6 Compliant.
- UL recognized component (File number E240442)
- Compliant with 1.0625GBd Fibre Channel 100-SM-LC-L FC-PI Rev.13 standard.
- Compliant with SFP MSA and IEEE802.3 1000Base-LX Ethernet.
- SFF-8472 Rev.9 compliant diagnostic monitoring implemented.
- Power supply voltage Single +3.3V
- Compact package size 57.5 x 13.9 x 8.6mm
- Electrical interface AC coupled for DATA, LVTTTL for TxDisable and open collector output for LOS and TxFault. Circuit ground is internally isolated from frame ground.
- Distance <10km (SMF) *1, <550m (MMF) *1
- 1310nm FP-LD
- Fiber coupled power -9.5 to -3dBm (SMF), -11.5 to -3dBm (MMF) *2
- Input power range -20.5 to -3dBm
- Connector interface LC Duplex
- Serial ID functionality
- Alarm and Warning flags

*1 Use optical cables that meet IEEE standards

*2 Transmitter shall be coupled through a single mode fiber offset-launch mode-conditioning patch cord.

Applications

- Switch to switch interface and switch backbone applications
- High speed interface for file servers

2 Block diagram

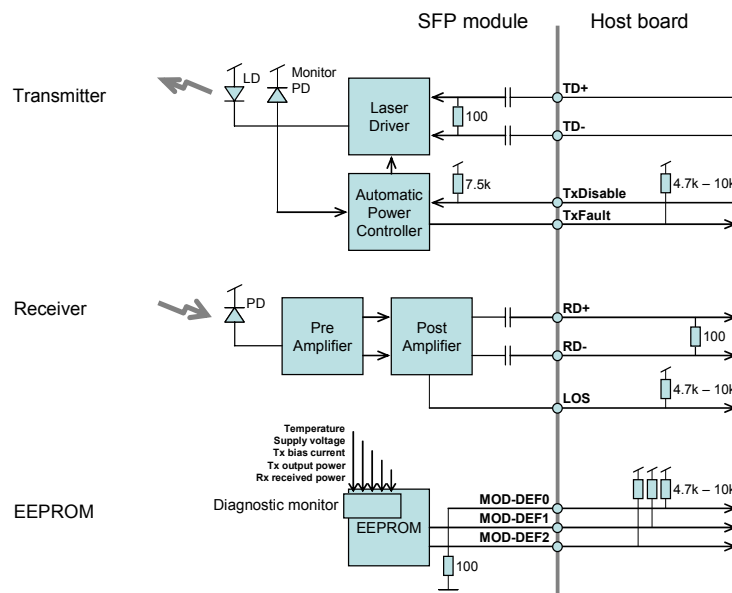
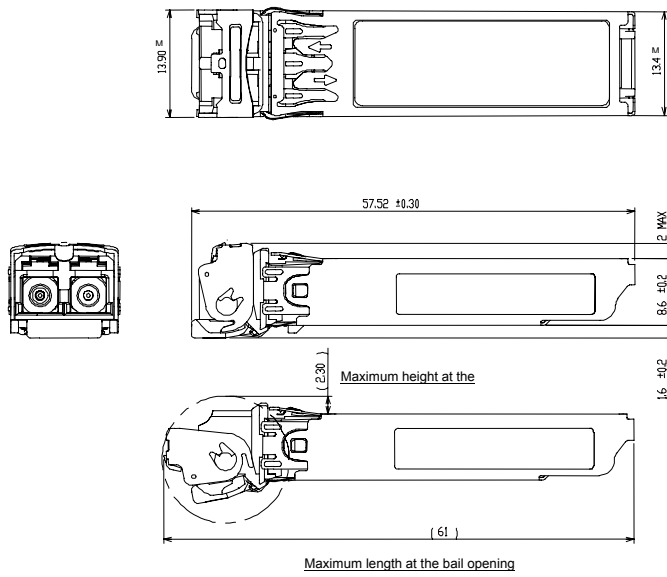


Figure 1. Block diagram

⚠ Caution

⊘ Do not disassemble this product. Otherwise, failure, electrical shock, overheating or fire may occur.

3 Package dimensions



Note1 All Dimensions in mm

Note2 Dimensions with parentheses indicate the bail and latch release position

Figure 2. Package dimensions

4 Pin assignment and function

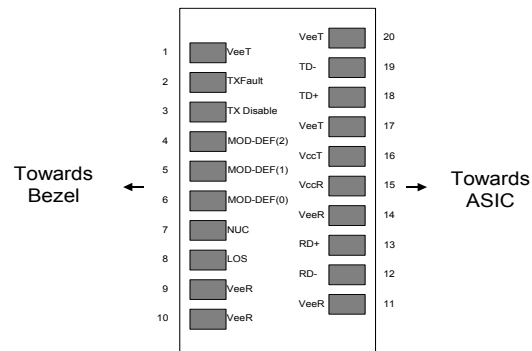


Figure 3. Pin assignment

Pin number	Name	Function	Plug sequence*	Note
1	VeeT	Transmitter ground	1	
2	TXFault	Transmitter fault indication	3	
3	TXDisable	Transmitter disable input	3	Module disables on high or open
4	MOD-DEF2	Module definition 2	3	2 wire serial ID and interface
5	MOD-DEF1	Module definition 1	3	2 wire serial ID and interface
6	MOD-DEF0	Module definition 0	3	Grounded internally via 100ohm
7	NUC	No user connection	3	Reserved for future use
8	LOS	Loss of signal indication	3	
9	VeeR	Receiver ground	1	
10	VeeR	Receiver ground	1	
11	VeeR	Receiver ground	1	
12	RD-	Negative receiver Data out	3	
13	RD+	Positive receiver Data out	3	
14	VeeR	Receiver ground	1	
15	VccR	Receiver power	2	
16	VccT	Transmitter power	2	
17	VeeT	Transmitter ground	1	
18	TD+	Positive transmitter Data in	3	
19	TD-	Negative transmitter Data in	3	
20	VeeT	Transmitter ground	1	

*Plug sequence: Pin engagement sequence during hot plugging.

TxFault TxFault is an open collector output that shall be pulled up with a 4.7k to 10kohm resistor on the host board. Pull up voltage is between 2.0V and VccT+0.3V. When high, output indicates a laser fault of some kind. Low indicates normal operation. TxFault is asserted when bias current of laser exceeds the factory-calibrated threshold level or when output power of transmitter degrades above/below the factory-calibrated threshold level.

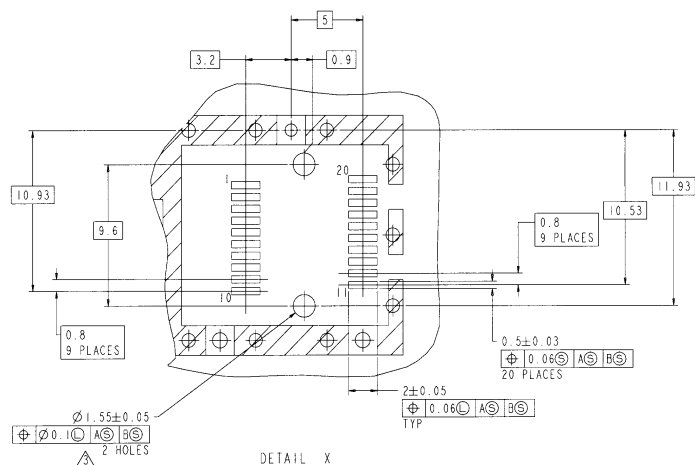
TxDisable TxDisable is an input that is used to shut down the transmitter optical output. It is pulled up within the module with a 4.7kohm resistor.

MOD-DEF MOD-DEF 0, 1 and 2 are module definition pins. They should be pulled up with a 4.7k to 10kohm resistor on the host board. The pull-up voltage shall be VccT. MOD-DEF0 indicates that the module is present. MOD-DEF1 is the clock line of two wire serial interface for serial ID. MOD-DEF2 is the data line of two wire serial interface for serial ID.

LOS LOS is an open collector output that shall be pulled up with a 4.7k to 10kohm resistor. Pull up voltage between 2.0V and VccR+0.3V. Low indicates normal operation.

RD RD+/- are the differential receiver outputs. They are AC-coupled 100ohm differential lines that should be terminated with 100ohm (differential) at the user's SERDES. The AC coupling is done inside the module and is thus not required on the host board.

TD TD+/- are the differential transmitter inputs. They are AC-coupled, differential lines with 100ohm differential termination inside the module. The AC coupling is done inside the module and is thus not required on the host board.



- Notes:
1. Datum and basic dimensions established by customer
 2. Pads and vias are chassis ground, 11 places
 3. Thru holes, plating optional

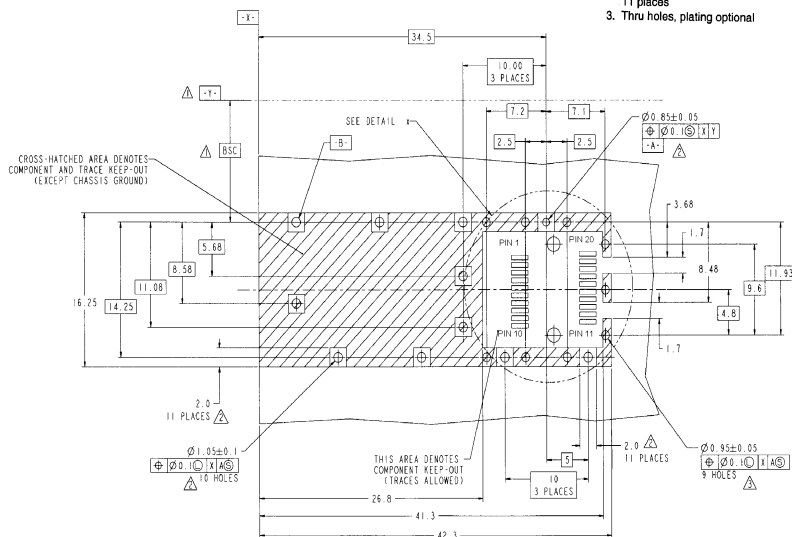
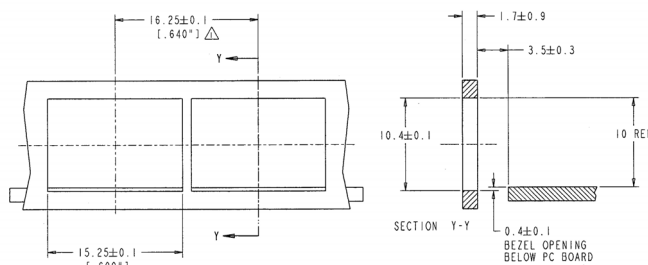


Figure 4 SFP host board mechanical layout



- NOTES:
1. MINIMUM PITCH ILLUSTRATED, ENGLISH DIMENSIONS ARE FOR REFERENCE ONLY
 2. NOT RECOMMENDED FOR PCI EXPANSION CARD APPLICATIONS





Figure 5 Recommended bezel design

5 Absolute maximum ratings

Parameter	Symbol	Min.	Typ.	Max.	Unit	Note
Storage ambient temperature	Ts	-40		85	deg.C	1
Operating case temperature	Tc	-40		85	deg.C	
Optical input level	Pin			3	dBm	2
Supply voltage	VccT, R	0		4	V	
Input voltage	Vi	0		VccT+0.3	V	3
Sink current	Isink	-1		5	mA	4
Differential Input Voltage Swing (TD+,TD-)	Vin			2.5	Vp-p	

Note

1. No condensation allowed.
2. peak value
3. For MOD-DEF (1:2) and Tx Disable.
4. For LOS and TxFault.

 Warning
 Use the product with the rated voltage described in the specification. If the voltage exceeds the maximum rating, overheating or fire may occur.
 Caution
 Do not store the product in the area where temperature exceeds the maximum rating, where there is too much moisture or dampness, where there is acid gas or corrosive gas, or other extreme conditions. Otherwise, failure, overheating or fire may occur.

6 Electrical interface

Unless otherwise specified, VccT, R=3.135 to 3.465V and all operating temperature shall be applied.

6.1 Operating characteristics

Parameter	Symbol	Min.	Typ.	Max.	Unit	Note
Supply Voltage	VccT, R	2.97	3.30	3.63	V	
Power Dissipation	Pw			0.75	W	1

Note

1. 1250Mbps, PRBS 2⁷-1, NRZ, 50% duty cycle data.

6.2 Transmitter

Parameter	Symbol	Min.	Typ.	Max.	Unit	Note
Differential Input Voltage Swing (TD+,TD-)	Vin	0.3		1.6	Vpp	1
Input Differential Impedance	Zin	80	100	120	Ω	
Data Rise / Fall Time of input	tr / tf			265	ps	2
Tx Fault	High	VfaultH	2	VccT+0.3	V	3
	Low	VfaultL	0	0.8	V	3, 4
Tx Disable	Disable	Vdi	2	VccT	V	5
	Enable	Vei	0	0.8	V	

Note

1. Refer to Figure 6.
2. 20-80% value.
3. Tx Fault is pulled up to VccT with a 4.7k - 10kohm resistor on the host board.
When high, output indicates a laser fault of some kind. Low indicates normal operation.
4. Sink Current: 3mA
5. Tx Disable input is internally terminated to VccT via 7.5 kohm resistor. If left open, transmitter is disabled.

6.3 Receiver

Parameter		Symbol	Min.	Typ.	Max.	Unit	Note
Differential output voltage swing(RD+,RD-)		Vout	0.4		1.2	Vp-p	1
Data Rise / Fall Time		tr / tf			240	psec	2
LOS Output Voltage	High	Vloh	2.0		VccR+0.3	V	3
	Low	Vlol	0		0.8	V	3,4

Note

1. Rdiff=100ohm. Refer to figure 6.
2. 20-80% value.
3. LOS should be pulled up to VccR with a 4.7k – 10kohm resistor on the host board. Low indicates normal status.
4. Sink current 3mA.

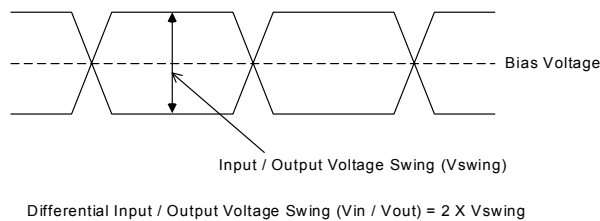


Figure 6 Definition of differential input/output voltage swing

6.4 Module definition

Parameter		Symbol	Min.	Typ.	Max.	Unit	Note
MOD_DEF(1:2) Input Voltage	High	Vih	2		VccT	V	1
	Low	Vil	0		0.8	V	
MOD_DEF(2) Output Voltage	High	Voh	2		VccT	V	1
	Low	Vol	0		0.8	V	1

Note

1. Should be pulled up to VccT with a 4.7k – 10kohm resistor on the host board..

7 Optical interface

Unless otherwise specified, VccT, R=3.135 to 3.465V and all operating temperature shall be applied.

7.1 Transmitter

Parameter	Symbol	Min.	Typ.	Max.	Unit	Note
Bit Rate Range		1062.5, 1250 Mbps +/- 100ppm			Mbps	
Average Output Power to SMF	Po	-9.5	-6	-3	dBm	1
Average Output Power to MMF	Po	-11.5	-7	-3	dBm	1, 2
Average Output Power (Disable)	Pdis			-45	dBm	1
Extinction Ratio	Er	9			dB	1
Center Wavelength	λc	1270		1355	nm	1
Spectral Width (RMS)	Compliant with ANSI FC-PI Rev.13 and IEEE 802.3 standard					1
Eye Mask for Optical Output	Compliant with Eye Mask Defined in ANSI FC-PI Rev.13 and IEEE 802.3 standard					1
Total Transmitter Jitter (peak to peak)	Tjpkτ			227	ps	3
Optical Rise / Fall Time	tr / tf			260	ps	1, 4

Note

1. Measured at 1250Mbps, PRBS 2^7-1, 50% duty cycle, NRZ.
2. With MMF, transmitter shall be coupled through a single-mode fiber offset-launch mode-conditioning patch cord.
3. Measured at 1250Mbps, PRBS 2^7-1, 50% duty cycle, NRZ. TP2 refers to the compliance point specified in IEEE802.3, section38.2.1.
4. Unfiltered 20-80% value.

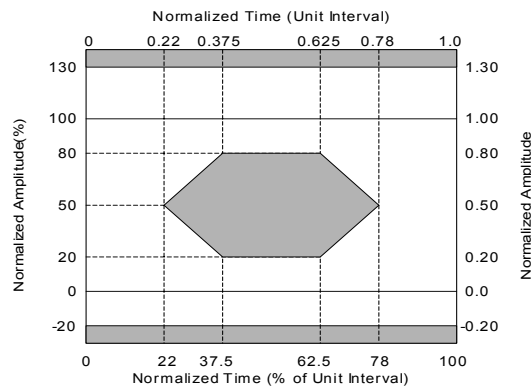


Figure 7 Eye mask for optical output (IEEE802.3)

Warning	
	Do not look at the laser beam projection area (e.g. end of optical connector) with naked eyes or through optical equipment while the power is supplied to this product. Otherwise, your eyes may be injured.

7.2 Receiver

Parameter	Symbol	Min.	Typ.	Max.	Unit	Note
Bit Rate Range		1062.5, 1250 Mbps +/- 100ppm			Mbps	
Center Wavelength	λ_c	1270		1355	nm	
Minimum Sensitivity	Pmin		-26	-20.5	dBm	1, 2
Overload	Pmax	-3			dBm	1, 2
LOS Activation Level	PLa	-30		-21	dBm	2
LOS Deactivation Level	PLd	-29.5		-20.5	dBm	
LOS Hysteresis	Phys	0.5		6	dB	
Reflectance	REFr		-14	-12	dB	

Note

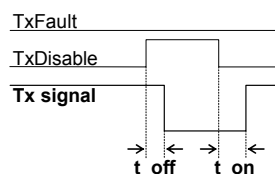
- BER = 1E-12.
- Measured at 1250Mbps, PRBS2⁷-1, NRZ

7.3 Transceiver timing characteristics

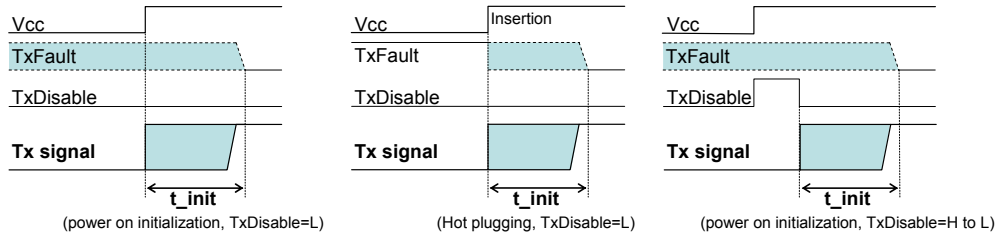
Parameter	Symbol	Min.	Typ.	Max.	Unit	Note
TxDisable assert time	t _{off}			10	us	1
TxDisable negate time	t _{on}			200	us	2
Time to initialize	t _{init}			300	ms	3
TxFault assert time	t _{fault}			100	us	4
TxDisable to reset	t _{reset}	10			us	5
LOS assert time	t _{loss_on}			100	us	6
LOS de-assert time	t _{loss_off}			100	us	7
Serial ID clock rate	-			100	kHz	

Note

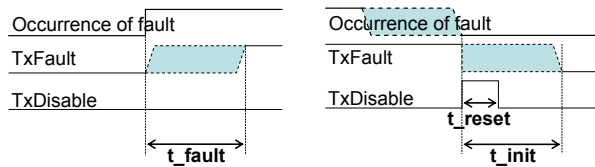
- Time from rising edge of TxDisable to when the optical output falls below 10% of nominal.
- Time from falling edge of TxDisable to when the modulated optical output rises above 90% of nominal.



3. From power on or negation of TxFault using TxDisable.



4. Time from transmitter's fault condition to TxFault on.
5. Time to reset TxFault status.



6. Time from Loss of signal state to LOS assert.
7. Time from non-LOS state to LOS de-assert.

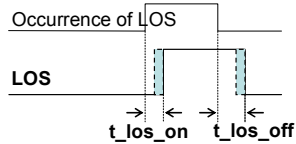


Figure 8 Transceiver timing charts

7.4 TxFault and Tx shutdown options

Type	TxFault	Tx shutdown on TxFault
A	Latched	No
B	Not latched	No
C	Latched	Yes

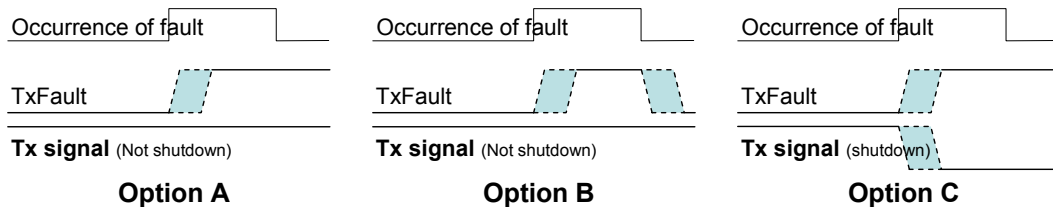


Figure 9 Part number identification for TxFault and Tx shutdown behavior

8 EEPROM memory contents

The data can be read using the 2-wire serial CMOS EEPROM protocol of the Atmel AT24C01A or equivalent.

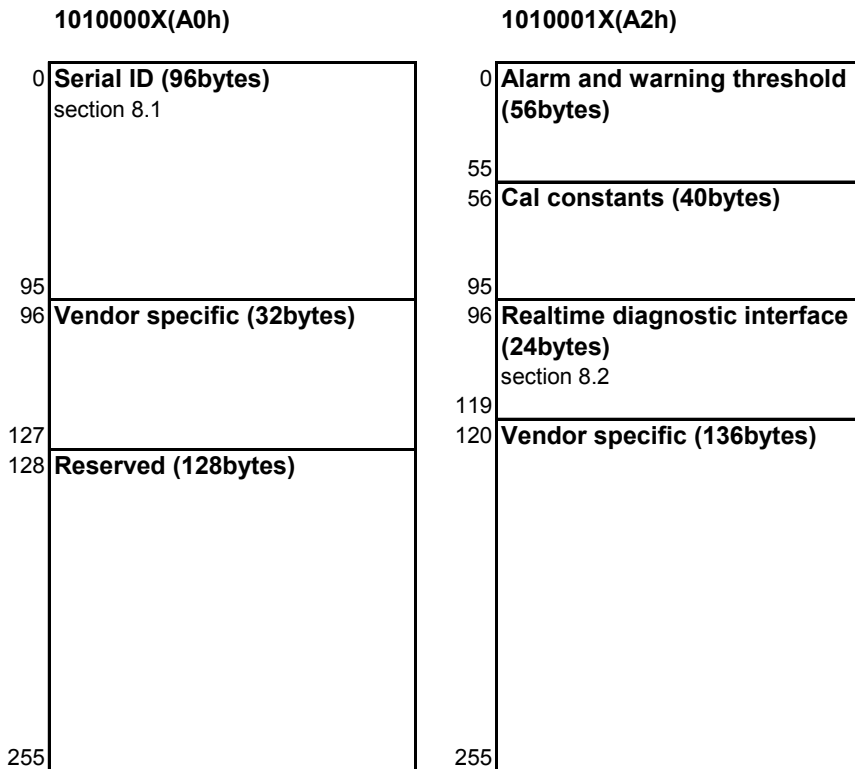


Figure 10 Digital diagnostic memory map

8.1 Serial ID (A0h)

Address	Name of field	Hex	ASCII	Description	Address	Name of field	Hex	ASCII	Description	
BASE ID FIELDS					EXTENDED ID FIELDS					
0	Identifier	03		SFP Transceiver	64	Options	00			
1	Ext. Identifier	04			65		1A			
2	Connector	07		LC Connector	66	BR_max	00			
3	Transceiver	00			67	BR_min	00			
4		00			68	Vendor SN	Note2		Year	
5		00			69			Month		
6		02			70					
7		12			71					
8		00			72					
9		01			73					
10	01			74						
11	Encoding	01		8B10B	75					
12	BR_Nominal	0D		1.25Gbps	76					
13	Reserved	00			77					
14	Length(9um) - km	0A		10km	78					
15	Length (9um)	64			79					
16	Length (50um)	37		550m	80					
17	Length (62.5um)	37		550m	81					
18	Length (Copper)	00			82					
19	Reserved	00			83					
20	Vendor name	53	S		84	Date code	Note3			
21		75	u		85					
22		6D	m		86					
23		69	i		87					
24		74	t		88					
25		6F	o		89					
26		6D	m		90					
27		6F	o		91					
28		45	E		92	Diagnostic Monitoring Type	68		Note 5	
29		6C	l		93	Enhanced Options	F0		Note 6	
30		65	e		94	SFF-8472 Compliance	01		Diagnostics	
31		63	c		95	CC_EXT	Note4			
32		74	t		VENDOR SPECIFIC ID FIELDS					
33		72	r		96	Read-only	20			
34		69	i		97		20			
35	63	c		98	20					
36	Reserved	00		99	20					
37	Vendor OUI	00		100	20					
38		5F		101	20					
39				102	20					
40	Vendor PN	53	S		103		20			
41		43	C		104		20			
42		50	P		105		20			
43		36	6		106		20			
44		46	F		107		20			
45		34	4		108		20			
46		34	4		109		20			
47		2D	-		110		20			
48		47	G		111		20			
49		4C	L		112		20			
50		2D	-		113		20			
51		41/42/43	A/B/C	TxFault Type	114		20			
52		57	W	Temperature Range	115		20			
53		48	H	Int. Cal.	116	20				
54		20			117	20				
55	20			118	20					
56	41 to 5A	A to Z	Variable	119	20					
57	20			120	20					
58	20			121	20					
59	20			122	20					
60	Wavelength	05		123	20					
61		1E		124	20					
62	Reserved	00		125	20					
63	CC_BASE	Note1		126	20					
				127	20					

Note

- Address 63 is a checksum of bytes 0 to 62.
- Address 68 to 83 is vendor's serial number area.
- Address 84 to 91 is date-code.
- Address 95 is a checksum of bytes 64 to 94.
- Diagnostic monitoring types are listed below.

Address	Bit	Status	Description
92	7	0	Reserved for legacy diagnostic implementations.
92	6	1	Digital diagnostic monitoring is implemented.
92	5	0 or 1	Status 1 means Internally calibrated
92	4	0 or 1	Status 1 means externally calibrated
92	3	1	Receiver power measurement type. 1=Average power.
92	2	0	Address change is not required.
92	1	0	Reserved
92	0	0	Reserved

6. Enhanced options are listed below.

Address	Bit	Status	Description
93	7	1	Alarm/warning flags implemented for all monitored quantities
93	6	1	Soft TxDisable control is implemented.
93	5	1	Soft TxFault monitoring is implemented.
93	4	1	Soft RxLOS monitoring is implemented.
93	3	0	Soft rate-select control and monitoring is not implemented.
93	2	0	Reserved
93	1	0	Reserved
93	0	0	Reserved

8.2 Real-time diagnostics (A2h)

Setting of bit 6, address 92 means digital diagnostic monitoring is implemented. Two calibration options are possible. If bit 5 of address 92, "Internally calibrated", is set, the transceiver directly reports calibrated values in units of current, power etc. If bit 4, "Externally calibrated", is set, the reported values are A/D counts which must be converted to real world units using calibration values read using 2 wire serial address 1010001X(A2h) from bytes 55 to 95. Monitoring range and accuracy are described in section 8.3.

Address	Bit	Name	Description
96	MSB	Temperature (T_{AD})	Case temperature of the point illustrated in section 3. 16-bit signed 2's complement value. See Note 1 and 6.
97	LSB		
98	MSB	V_{CC} (V_{AD})	Internally measured supply voltage "VccT" in a module. Unsigned 16-bit value. See Note 2 and 6.
99	LSB		
100	MSB	Tx bias current (I_{AD})	Unsigned 16-bit value. See Note 3 and 6.
101	LSB		
102	MSB	Tx power (TP_{AD})	Measured TX output power. Unsigned 16-bit value. See Note 4 and 6.
103	LSB		
104	MSB	Rx power (RP_{AD})	Measured RX received power. Unsigned 16-bit value. 1digit=0.1uW. See Note 5 and 6.
105	LSB		
106	-	-	Reserved
107	-	-	Reserved
108	-	-	Reserved
109	-	-	Reserved

Note

- Temperature (1/256deg.C/digit) $T = T_{AD}$ (Int. cal.)
- Vcc (100uV/digit) $V = V_{AD}$ (Int. cal.)
- TX bias current (2uA/digit) $I = I_{AD}$ (Int. cal.)
- TX power (0.1uW/digit) $TP = TP_{AD}$ (Int. cal.)
- RX power (0.1uW/digit) $RP = RP_{AD}$ (Int. cal.)

6. Calibration constants(A2h) are listed below.

Address	Bytes	Name	Description
56:59	4	RP4	Single precision floating-point calibration data. Byte 56 is MSB.
60:63	4	PR3	Single precision floating-point calibration data. Byte 60 is MSB.
64:67	4	PR2	Single precision floating-point calibration data. Byte 64 is MSB.
68:71	4	PR1	Single precision floating-point calibration data. Byte 68 is MSB.
72:75	4	RP0	Single precision floating-point calibration data. Byte 72 is MSB.
76:77	2	Islope	Unsigned fixed-point calibration data. Byte 76 is MSB.
78:79	2	Ioffset	16-bit signed 2's complement calibration data. Byte 78 is MSB.
80:81	2	TPslope	Unsigned fixed-point calibration data. Byte 80 is MSB.
82:83	2	TPoffset	16-bit signed 2's complement calibration data. Byte 82 is MSB.
84:85	2	Tslope	Unsigned fixed-point calibration data. Byte 84 is MSB.
86:87	2	Toffset	16-bit signed 2's complement calibration data. Byte 86 is MSB.
88:89	2	Vslope	Unsigned fixed-point calibration data. Byte 88 is MSB.
90:91	2	Voffset	16-bit signed 2's complement calibration data. Byte 90 is MSB.
92:94	3	-	Reserved
95	1	-	Checksum. Low order 8 bits of the sum at data address 0 to 94.

8.3 A/D accuracy and monitoring range

Parameter	Accuracy	Monitoring range		Unit	Note
		Min.	Max.		
Temperature	+/- 3deg.C	-40	85	deg.C	1
Vcc	+/- 3%	2.97	3.63	V	
Tx bias current	+/- 10%	1	60	mA	2
Tx power	+/- 3dB	-12.5	0	dBm	
Rx power (Int/Exto Calibration)	+/- 3dB	-20.5	-3	dBm	3

Note

1. Case temperature. Specified at Vcc=3.3V.
2. Specified by nominal value.
3. At specified transmitter wavelength.

8.4 Optional status bit(A2h)

Address	Bit	Name	Description
110	0	Data ready bar	Indicates transceiver has achieved power up and data is ready. Bit remains high until data is ready to be read.

8.5 Alarm and Warning Flags (A2h)

Address	Bit	Name	Description
112	7	Temp High Alarm	Set when temperature exceeds high alarm level.
112	6	Temp Low Alarm	Set when temperature is below low alarm level.
112	5	Vcc High Alarm	Set when measured internal voltage exceeds high alarm level.
112	4	Vcc Low Alarm	Set when measured internal voltage is below low alarm level.
112	3	Tx bias High Alarm	Set when TX bias current exceeds high alarm level.
112	2	Tx bias Low Alarm	Set when TX bias current is below low alarm level.
112	1	Tx power High Alarm	Set when TX output power exceeds high alarm level.
112	0	Tx power Low Alarm	Set when TX output power is below low alarm level.
113	7	RX power High Alarm	Set when received power exceeds high alarm level.
113	6	RX power Low Alarm	Set when received power is below low alarm level.
113	5:0	Reserved	
114	7:0	Reserved	
115	7:0	Reserved	
116	7	Temp High Warning	Set when temperature exceeds high warning level.
116	6	Temp Low Warning	Set when temperature is below low warning level.
116	5	Vcc High Warning	Set when measured internal voltage exceeds high warning level.
116	4	Vcc Low Warning	Set when measured internal voltage is below low warning level.
116	3	Tx bias High Warning	Set when TX bias current exceeds high warning level.
116	2	Tx bias Low Warning	Set when TX bias current is below low warning level.
116	1	Tx power High Warning	Set when TX output power exceeds high warning level.
116	0	Tx power Low Warning	Set when TX output power is below low warning level.
117	7	RX power High Warning	Set when received power exceeds high warning level.
117	6	RX power Low Warning	Set when received power is below low warning level.
117	5:0	Reserved	
118	7:0	Reserved	
119	7:0	Reserved	

9 Recommended interface circuit

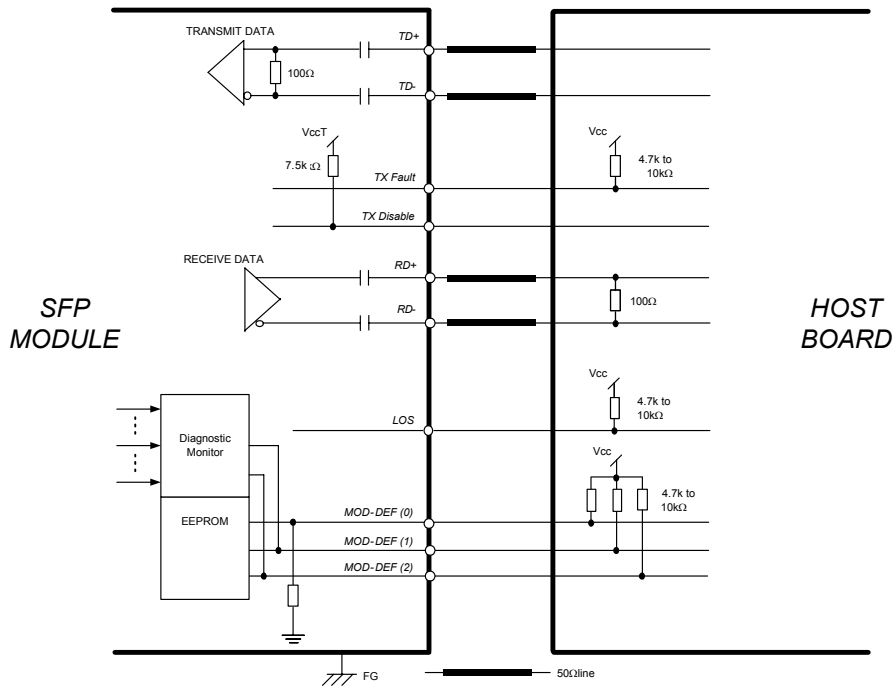


Figure 11 Recommended interface circuit

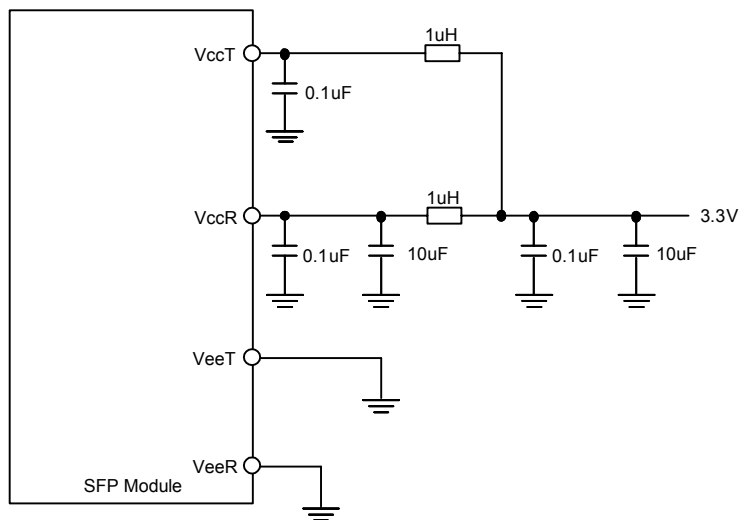


Figure 12 Recommended supply filtering network

10 RoHS COMPLIANCY

Compliance versus requirements contained inside the following reference document is guaranteed: "Directive 2002/95/EC of 27 January 2003 on the restriction of the use of certain hazardous substances in electrical and electronic equipment from official journal of European Union (European Parliament and of the Council). This product is Compliant at RoHS-6/6 level and contains no leaded solders.

11 Reliability test program

GR-468-CORE Issue 1, December 1998 Laser module

Heading	Test	Reference	Conditions	Sampling		
				LTPD	SS	C
Mechanical Integrity	Mechanical shock	MIL-STD-883 Method 2002	5 times/axis 1,500G, 0.5ms	20	11	0
	Vibration	MIL-STD-883 Method 2007	Cond. A 20G, 20 to 2,000Hz, 4min/cy, 4cy/axis	20	11	0
Endurance	Accel. aging (High temp.)	(R)-4-53 Section 5.18	85deg.C; rated power 1,000h for pass/fail 2,000 & 5,000h for info	-	25 10	-
	Low temp. storage	-	Minimum storage temperature 1,000h for pass/fail 2,000h for info	20	11	0
	Temperature cycling	Section 5.20	-40 to 85deg.C 500cy for pass/fail 1,000cy for info	20 -	11 11	0 -
	Damp heat with bias	MIL-STD-202 Method 103 or IEC-60068-2-3	85deg.C/85%RH 1,000h	20	11	0
	Cyclic moisture resistance	Section 5.23	-	20	11	0
Special test	Internal moisture	MIL-STD-883 Method 1018	Max. 5,000ppm water vapor	20	11	0
	ESD threshold	Section 5.22		-	6	-

SS; sample size

C; maximum number of failure allowed to pass the test.

12 Laser safety



This product uses a semiconductor laser system and is a laser class 1 product acceptable FDA, complies with 21CFR 1040.10 and 1040.11. Also this product is a laser class 1 product acceptable IEC60825.

 Caution	
	If this product is used under conditions not recommended in the specification or this product is used with unauthorized revision, classification for laser product safety standard is invalid. Classify the product again at your responsibility and take appropriate actions.

13 Other precaution

Under such a strong vibration environment as in automobile, the performance and reliability are not guaranteed. The governmental approval is required to export this product to other countries. To dispose of these components, the appropriate procedure should be taken to prevent illegal exportation.

This module must be handled, used and disposed of according to your company's safe working practice.

 Warning	
	Operating transceiver products can have an outer package temperature exceeding 70 degC. To reduce the risk of injury from burns, do not touch the transceiver module under any circumstances while it is operational. When installing or uninstalling products that have been operating, handle with extreme care.

⚠ Warning
⊘ Do not put this product or components of this product into your mouth. This product contains material harmful to health.

⚠ Caution
⊘ Dispose this product or equipment including this product properly as industrial waste according to the regulations.

14 Ordering information

Part number

SCP6F44 - GL - WH

Calibration type of diagnostic monitor

H: Internal Calibration

Operating case temperature range

W: -40 to 85deg.C

TxFault type

Type	TxFault	Tx shutdown on fault
A	Latched	No
B	Not latched	No
C	Latched	Yes

15 For more information

U.S.A.

Excelight Communications, Inc.

4021 Stirrup Creek Drive, Suite 200, Durham, NC 27703 USA

Tel. +1-919-361-1600 / Fax. +1-919-361-1619

E-mail: info@excelight.com

<http://www.excelight.com>

Europe

Sumitomo Electric Europe Ltd.

220 Centennial Park, Elstree, Herts, WD6 3SL UK

Tel. +44-208-953-8681 / Fax. +44-208-207-5950

E-mail: photonics@sumielectric.com

<http://www.sumielectric.com> www.sfp.by

Japan

Sumitomo Electric Industries, Ltd.

1 Taya-cho, Sakae-ku, Yokohama, 244-8588 Japan

Tel. +81-45-853-7154 / Fax. +81-45-851-1932

E-mail: product-info@ppd.sei.co.jp

http://www.sei.co.jp/Electro-optic/index_e.html