



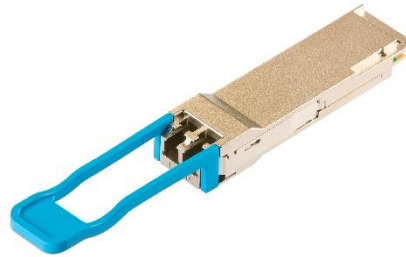
Product Specification

10km 100GBASE-LR4 QSFP28 Optical Transceiver Module

OM9558LS100

PRODUCT FEATURES

- QSFP28 MSA compliant
- Compliant to IEEE 802.3ba 100GBASE-LR4
- Digital diagnostic monitoring support
- Hot pluggable 38 pin electrical interface
- 4 LAN-WDM lanes MUX/DEMUX design
- 4x25G electrical interface
- Maximum power consumption 4W
- LC duplex connector
- Supports 103.125Gb/s bit rate
- Up to 10km transmission on single mode fiber
- Operating case temperature: 0°C to 70°C
- Single 3.3V power supply
- RoHS 2.0 compliant



APPLICATIONS

- 100GBASE-LR4 100G Ethernet
- Telecom networking
- Data Center Interconnect
- Enterprise networking

DESCRIPTIONS

Hisilicon’s OM9558LS100 module are designed for 10km optical communication applications, and it is compliant to IEEE 802.3ba for 100GE Ethernet. This module contains 4-lane optical transmitter, 4-lane optical receiver and module management block including 2 wire serial interface. The optical signals are multiplexed to a single-mode fiber through an industry standard LC connector. A block diagram is shown in Figure 1.

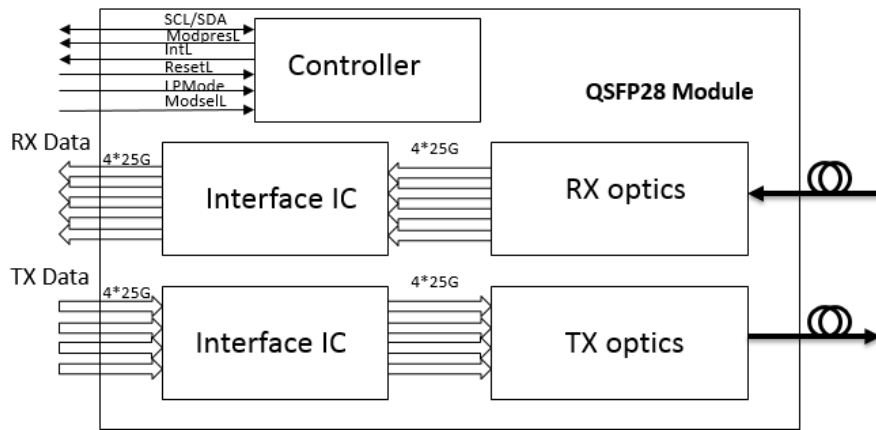


Figure 1. Transceiver Block Diagram

Pin Descriptions

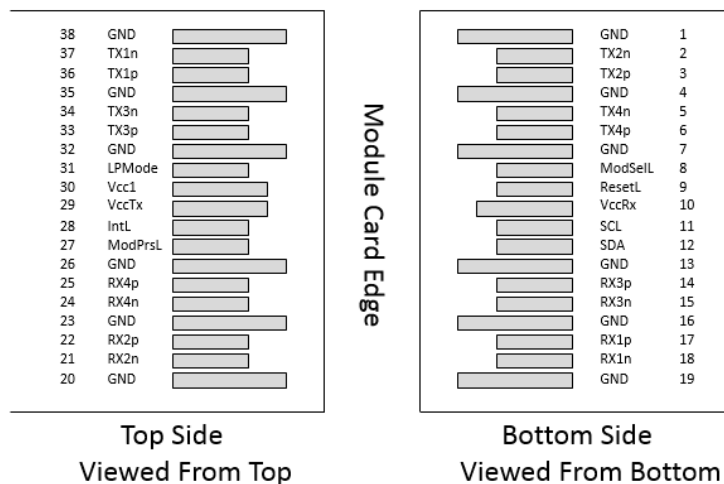


Figure 2. MSA compliant Connector

Mechanical Specifications

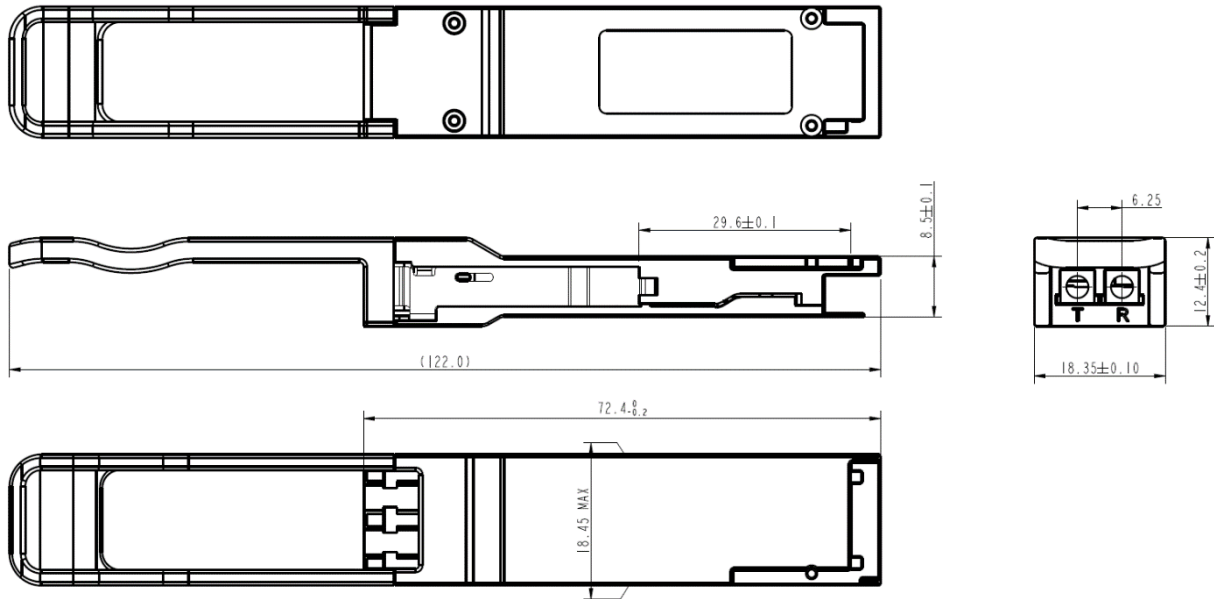


Figure 3. OM9558LS100 Mechanical Dimensions

Ordering Information

Part Number	Description
OM9558LS100	4*25G LR4 QSFP28, Pull-tap, Single rate, refer to Figure 3

END