



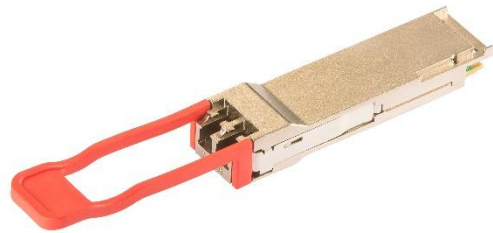
## Product Specification

# 100GBASE-ER4 QSFP28 Optical Transceiver Module

## OM9558ES100

### PRODUCT FEATURES

- QSFP28 MSA compliant
- Hot pluggable 38 pin electrical interface
- 4 LAN-WDM lanes MUX/DEMUX design
- 4x25G electrical interface
- Maximum power consumption 5W
- LC duplex connector
- Supports 103.125Gb/s aggregate bit rate
- Up to 40km transmission on single mode fiber
- Operating case temperature: 0°C to 70°C
- Single 3.3V power supply
- RoHS 2.0 compliant



### APPLICATIONS

- 100GE Ethernet
- Telecom networking
- Data Center Interconnect

### DESCRIPTIONS

Hisilicon's OM9558ES100 module is designed for 40km optical communication applications. This module contains 4-lane optical transmitter, 4-lane optical receiver and module management block including 2 wire serial interface. The optical signals are multiplexed to a single-mode fiber through an industry standard LC connector. A block diagram is shown in Figure 1.

## Transceiver Block Diagrams

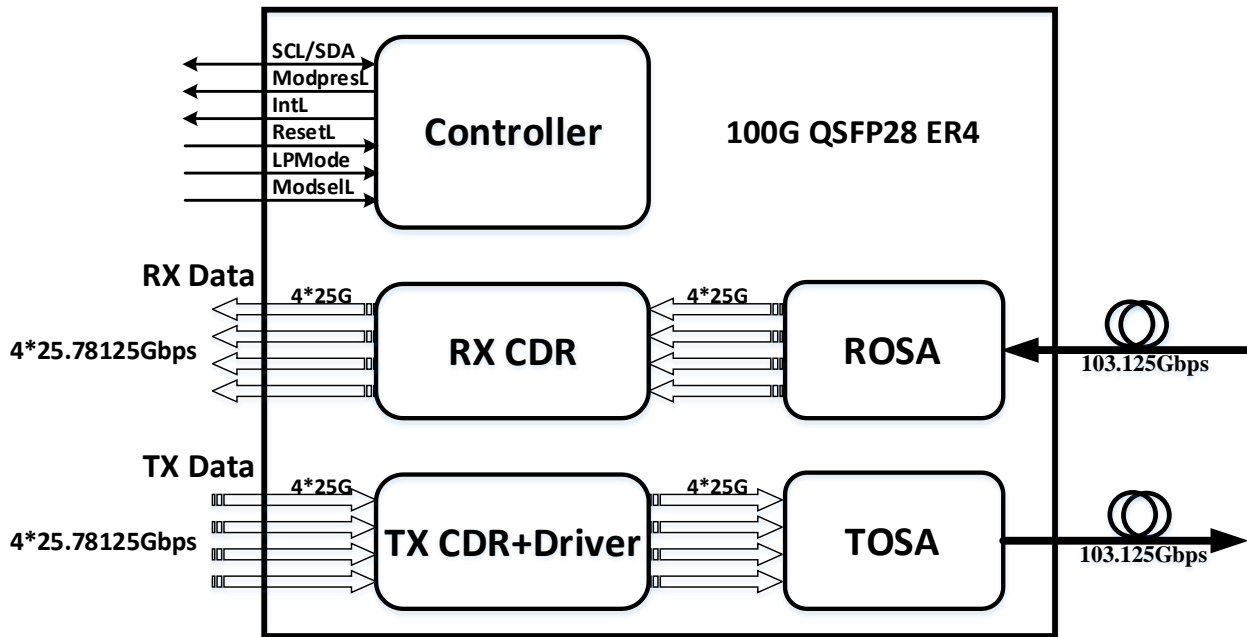


Figure 1. Transceiver Block Diagram

## Pin Descriptions

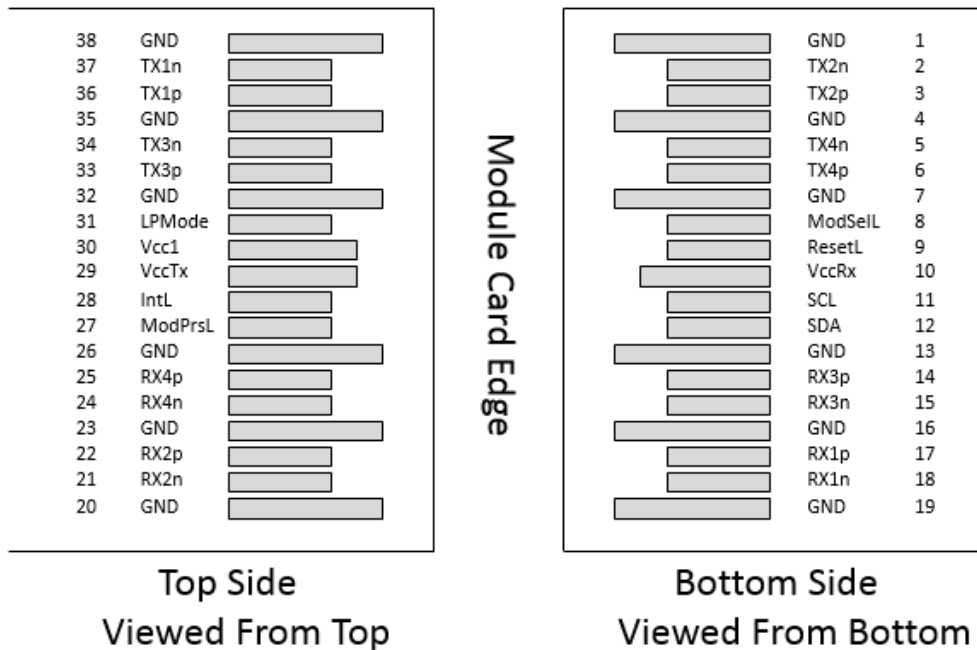


Figure 2. MSA compliant Connector

## Mechanical Specifications

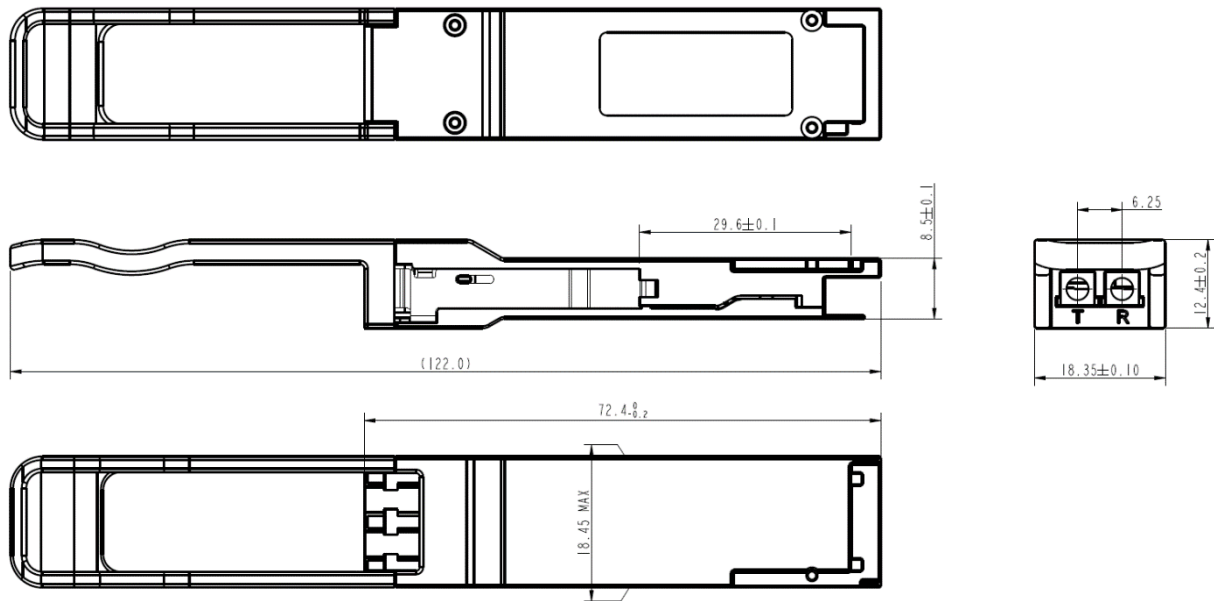


Figure 3. OM9558ES100 Mechanical Dimensions

## Ordering Information

Part Number	Description
OM9558ES100	100GBASE-ER4 QSFP28, Pull-tap, refer to Figure 3

**END**