

EOLS-1312-X Series

Single-Mode 1310nm 1.25Gbps FC/GBE
 Duplex SFP Transceiver
 RoHS Compliant

Features

- ◆ Operating Data Rate up to 1.25Gbps
- ◆ 10km with 9/125 μm SMF
 - 15km with 9/125 μm SMF
 - 20km with 9/125 μm SMF
 - 30km with 9/125 μm SMF
 - 40Km with 9/125 μm SMF
- ◆ Single 3.3V Power Supply and TTL Logic Interface
- ◆ Hot-Pluggable SFP Footprint Duplex LC Connector Interface
- ◆ Class 1 FDA and IEC60825-1 Laser Safety Compliant
- ◆ Operating Temperature
 - Standard: 0°C~+70°C
 - Industrial: -40°C~+85°C
- ◆ Compliant with MSA SFP Specification
- ◆ Compliant with SFF-8472
- ◆ Safety Certification: TUV/UL/FDA *Note1
- ◆ RoHS Compliant



Applications

- ◆ Gigabit Ethernet Switches and Routers
- ◆ Fiber Channel Switch Infrastructure
- ◆ Other Optical Links

Ordering Information

Part No.	Data Rate	Fiber	Distance *(note3)	Interface	Temp.	DDMI
EOLS-1312-10*(Note2)	1.25Gbps	SMF	10km	LC	Standard	NO
EOLS-1312-10-I	1.25Gbps	SMF	10km	LC	Industrial	NO
EOLS-1312-10-D	1.25Gbps	SMF	10km	LC	Standard	YES
EOLS-1312-10-DI	1.25Gbps	SMF	10km	LC	Industrial	YES
EOLS-1312-15*(Note2)	1.25Gbps	SMF	15km	LC	Standard	NO

EOLS-1312-15-I	1.25Gbps	SMF	15km	LC	Industrial	NO
EOLS-1312-15-D	1.25Gbps	SMF	15km	LC	Standard	YES
EOLS-1312-15-DI	1.25Gbps	SMF	15km	LC	Industrial	YES
EOLS-1312-20*(Note2)	1.25Gbps	SMF	20km	LC	Standard	NO
EOLS-1312-20-I	1.25Gbps	SMF	20km	LC	Industrial	NO
EOLS-1312-20-D	1.25Gbps	SMF	20km	LC	Standard	YES
EOLS-1312-20-DI	1.25Gbps	SMF	20km	LC	Industrial	YES
EOLS-1312-30*(Note2)	1.25Gbps	SMF	30km	LC	Standard	NO
EOLS-1312-30-I	1.25Gbps	SMF	30km	LC	Industrial	NO
EOLS-1312-30-D	1.25Gbps	SMF	30km	LC	Standard	YES
EOLS-1312-30-DI	1.25Gbps	SMF	30km	LC	Industrial	YES
EOLS-1312-40*(Note2)	1.25Gbps	SMF	40km	LC	Standard	NO
EOLS-1312-40-I	1.25Gbps	SMF	40km	LC	Industrial	NO
EOLS-1312-40-D	1.25Gbps	SMF	40km	LC	Standard	YES
EOLS-1312-40-DI	1.25Gbps	SMF	40km	LC	Industrial	YES

Note1: For the latest certification information, please check with Eoptolink.

Note2: Standard version

Note3: 10km /15km/20km/30km /40Km with 9/125 μm SMF

*The product image only for reference purpose.

Product Description

The EOLS-1312-X series single-mode transceivers are small form factor pluggable module for bi-directional serial optical data communications such as Gigabit Ethernet 1000BASE-LX and Fiber Channel 1x SM-LC-L FC-PI. It is with the SFP 20-pin connector to allow hot plug capability. This module is designed for single mode fiber and operates at a nominal wavelength of 1310nm.

The transmitter section uses a multiple quantum well 1310nm laser and is a class 1 laser compliant according to International Safety Standard IEC-60825. The receiver section uses an integrated InGaAs detector preamplifier (IDP) mounted in an optical header and a limiting post-amplifier IC.

The EOLS-1312-XD series are designed to be compliant with SFF-8472 SFP Multi-source Agreement (MSA).

Absolute Maximum Ratings

Parameter	Symbol	Min.	Max.	Unit
Storage Temperature	T _s	-40	+85	°C
Supply Voltage	V _{CC}	-0.5	3.6	V
Operating Relative Humidity		-	95	%

*Exceeding any one of these values may destroy the device immediately.

Recommended Operating Conditions

Parameter	Symbol	Min.	Typical	Max.	Unit	
Operating Temperature	T _c	EOLS-1312-X	0		+70	°C
		EOLS-1312-X-I	-40		+85	
Power Supply Voltage	V _{cc}	3.15	3.3	3.45	V	
Power Supply Current	I _{cc}			300	mA	
Data Rate	GBE		1.25		Gbps	
	FC		1.063			

Performance Specifications - Electrical

Parameter	Symbol	Min.	Typ.	Max	Unit	Notes
Transmitter						
LVPECL Inputs(Differential)	V _{in}	400		2000	mVpp	AC coupled inputs*(Note6)
Input Impedance (Differential)	Z _{in}	85	100	115	ohms	R _{in} > 100 kohms @ DC
Tx_Dis	Disable	2		V _{cc}	V	
	Enable	0		0.8		
Tx_FAULT	Fault	2		V _{cc} +0.3	V	
	Normal	0		0.5		
Receiver						
LVPECL Outputs (Differential)	V _{out}	400		2000	mVpp	AC coupled outputs*(Note6)
Output Impedance (Differential)	Z _{out}	85	100	115	ohms	
Rx_LOS	LOS	2		V _{cc} +0.3	V	
	Normal	0		0.8	V	
MOD_DEF (0:2)	VoH	2.5			V	With Serial ID
	VoL	0		0.5	V	

Optical and Electrical Characteristics

(1310nm FP and PIN, 10km)

Parameter	Symbol	Min.	Typical	Max.	Unit
9µm Core Diameter SMF	L		10		km
Data Rate			1.063/1.25		Gbps
Transmitter					
Centre Wavelength	λ _c	1270	1310	1355	nm
Spectral Width (RMS)	Δλ			4	nm
Average Output Power*(Note4)	P _{out}	-9		-3	dBm
Extinction Ratio*(Note5)	ER	9			dB

Rise/Fall Time(20%~80%)	tr/tf			0.26	ns
Total Jitter	TJ			0.43	UI
Output Optical Eye*(Note5)	Compliant with IEEE 802.3z*(Note8)				
TX_Disable Assert Time	t_off			10	us
P _{out} @TX Disable Asserted	P _{out}			-45	dBm
Receiver					
Centre Wavelength	λ	1270		1355	nm
Receiver Sensitivity*(Note7)	P _{min}			-21	dBm
Receiver Overload	P _{max}	-3			dBm
LOS De-Assert	LOSD			-22	dBm
LOS Assert	LOSA	-35			dBm
LOS Hysteresis*(note8)		0.5			dB

(1310nm FP and PIN, 15km)

Parameter	Symbol	Min.	Typical	Max.	Unit
9 μ m Core Diameter SMF	L		15		km
Data Rate			1.063/1.25		Gbps
Transmitter					
Centre Wavelength	λ_c	1260	1310	1360	nm
Spectral Width (RMS)	$\Delta\lambda$			4	nm
Average Output Power*(Note4)	P _{out}	-8		-3	dBm
Extinction Ratio*(Note5)	ER	9			dB
Rise/Fall Time(20%~80%)	tr/tf			0.26	ns
Total Jitter	TJ			0.43	UI
Output Optical Eye*(Note5)	Compliant with IEEE 802.3z*(Note8)				
TX_Disable Assert Time	t_off			10	us
P _{out} @TX Disable Asserted	P _{out}			-45	dBm
Receiver					
Centre Wavelength	λ	1260		1600	nm
Receiver Sensitivity*(Note7)	P _{min}			-21	dBm
Receiver Overload	P _{max}	-3			dBm
LOS De-Assert	LOSD			-22	dBm
LOS Assert	LOSA	-35			dBm
LOS Hysteresis*(note8)		0.5			dB

(1310nm FP and PIN, 20km)

Parameter	Symbol	Min.	Typical	Max.	Unit
9 μ m Core Diameter SMF	L		20		km
Data Rate			1.063/1.25		Gbps
Transmitter					
Centre Wavelength	λ_c	1260	1310	1360	nm
Spectral Width (RMS)	$\Delta\lambda$			4	nm
Average Output Power*(Note4)	P _{out}	-8		-3	dBm
Extinction Ratio*(Note5)	ER	9			dB

Rise/Fall Time(20%~80%)	tr/tf			0.26	ns
Total Jitter	TJ			0.43	UI
Output Optical Eye*(Note5)	Compliant with IEEE 802.3z*(Note8)				
TX_Disable Assert Time	t_off			10	us
Pout@TX Disable Asserted	Pout			-45	dBm
Receiver					
Center Wavelength	λ	1260		1600	nm
Receiver Sensitivity*(Note7)	Pmin			-22	dBm
Receiver Overload	Pmax	-3			dBm
LOS De-Assert	LOSD			-23	dBm
LOS Assert	LOSA	-36			dBm
LOS Hysteresis*(note8)		0.5			dB

(1310nm FP and PIN, 30km)

Parameter	Symbol	Min.	Typical	Max.	Unit
9 μ m Core Diameter SMF	L		30		km
Data Rate			1.063/1.25		Gbps
Transmitter					
Centre Wavelength	λ_c	1260	1310	1360	nm
Spectral Width (RMS)	$\Delta\lambda$			4	nm
Average Output Power*(Note4)	Pout	-5		0	dBm
Extinction Ratio*(Note5)	ER	9			dB
Rise/Fall Time(20%~80%)	tr/tf			0.26	ns
Total Jitter	TJ			0.43	UI
Output Optical Eye*(Note5)	Compliant with IEEE 802.3z*(Note8)				
TX_Disable Assert Time	t_off			10	us
Pout@TX Disable Asserted	Pout			-45	dBm
Receiver					
Centre Wavelength	λ	1260		1600	nm
Receiver Sensitivity*(Note7)	Pmin			-24	dBm
Receiver Overload	Pmax	-3			dBm
LOS De-Assert	LOSD			-25	dBm
LOS Assert	LOSA	-38			dBm
LOS Hysteresis*(note8)		0.5			dB

(1310nm DFB and PIN, 40km)

Parameter	Symbol	Min.	Typical	Max.	Unit
9 μ m Core Diameter SMF	L		40		km
Data Rate			1.063/1.25		Gbps
Transmitter					
Centre Wavelength	λ_c	1260	1310	1360	nm
Spectral Width (-20dB)	$\Delta\lambda$			1	nm
Side Mode Suppression Ratio	SMSR	30			dB
Average Output Power*(Note4)	Pout	-2		3	dBm

Extinction Ratio*(Note5)	ER	9			dB
Rise/Fall Time(20%~80%)	tr/tf			0.26	ns
Total Jitter	TJ			0.43	UI
Output Optical Eye*(Note5)	Compliant with IEEE 802.3z*(Note8)				
TX_Disable Assert Time	t_off			10	us
Pout@TX Disable Asserted	Pout			-45	dBm
Receiver					
Centre Wavelength	λ	1260		1600	nm
Receiver Sensitivity*(Note7)	Pmin			-24	dBm
Receiver Overload	Pmax	-3			dBm
LOS De-Assert	LOSD			-25	dBm
LOS Assert	LOSA	-38			dBm
LOS Hysteresis*(note8)		0.5			dB

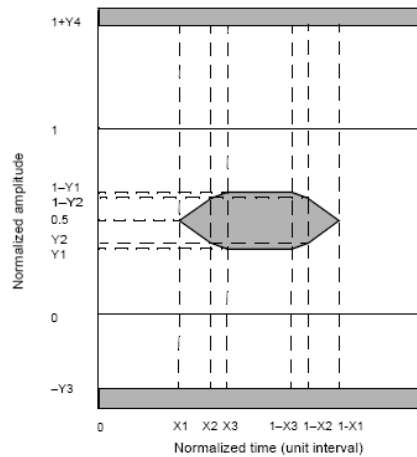
Note4: Output is coupled into a 9/125 μ m single-mode fiber.

Note5: Filtered, measured with a PRBS 2⁷-1 test pattern @1.25Gbps

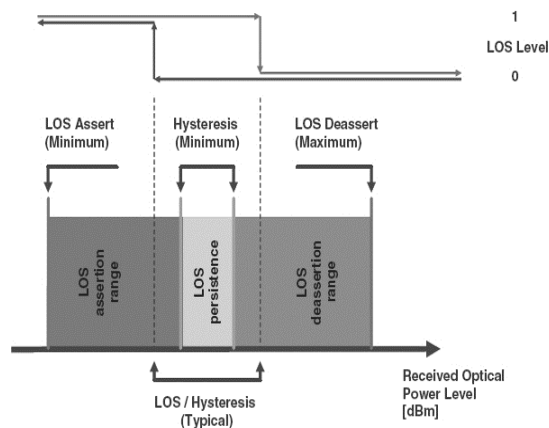
Note6: LVPECL logic, internally AC coupled.

Note7: Minimum average optical power at BER less than 1E-12, with a 2⁷-1 NRZ PRBS and ER=9 dB.

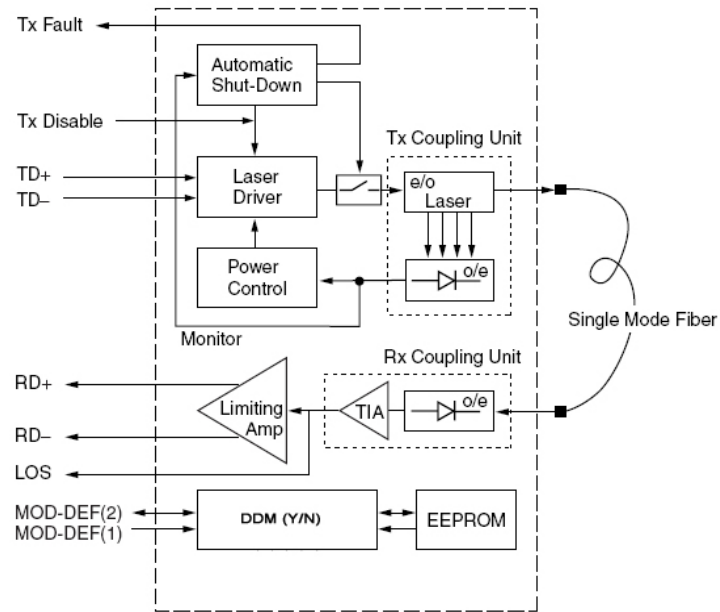
Note8: Eye pattern mask



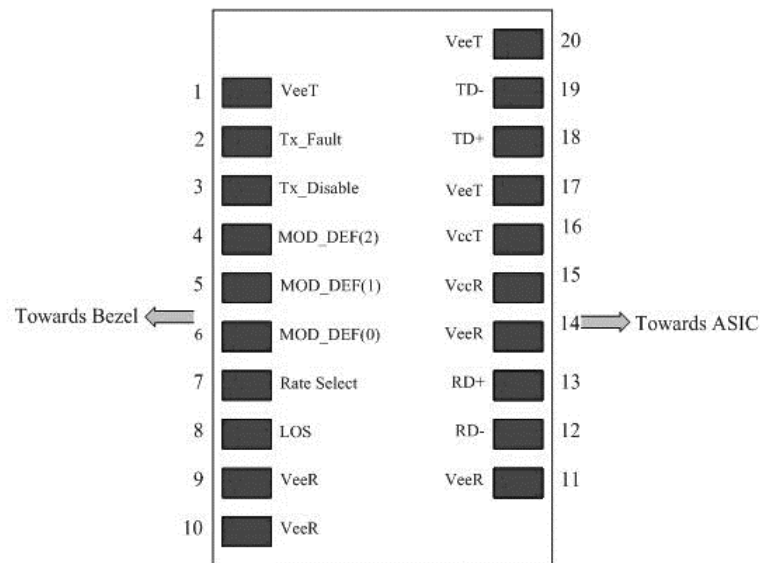
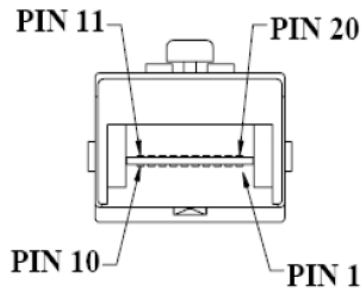
Note9: LOS Hysteresis



Functional Description of Transceiver



SFP Transceiver Electrical Pad Layout



Pin Function Definitions

Pin Num.	Name	Function	Plug Seq.	Notes
1	VeeT	Transmitter Ground	1	5)
2	TX Fault	Transmitter Fault Indication	3	1)
3	TX Disable	Transmitter Disable	3	2) Module disables on high or open
4	MOD-DEF2	Module Definition 2	3	3) 2 wire serial ID interface.
5	MOD-DEF1	Module Definition 1	3	3) 2 wire serial ID interface.
6	MOD-DEF0	Module Definition 0	3	3) Grounded within the module.
7	Rate Select	Not Connect	3	Function not available
8	LOS	Loss of Signal	3	4)
9	VeeR	Receiver Ground	1	5)
10	VeeR	Receiver Ground	1	5)
11	VeeR	Receiver Ground	1	5)
12	RD-	Inv. Received Data Out	3	6)
13	RD+	Received Data Out	3	7)
14	VeeR	Receiver Ground	1	5)
15	VccR	Receiver Power	2	7) 3.3 ± 5%
16	VccT	Transmitter Power	2	7) 3.3 ± 5%
17	VeeT	Transmitter Ground	1	5)
18	TD+	Transmit Data In	3	8)
19	TD-	Inv. Transmit Data In	3	8)
20	VeeT	Transmitter Ground	1	5)

Notes:

1) TX Fault is an open collector/drain output, which should be pulled up with a 4.7K – 10KΩ resistor on the host board. Pull up voltage between 2.0V and VccT, R+0.3V. When high, output indicates a laser fault of some kind. Low indicates normal operation. In the low state, the output will be pulled to < 0.8V.

2) TX disable is an input that is used to shut down the transmitter optical output. It is pulled up within the module with a 4.7 – 10 KΩ resistor. Its states are:

Low (0 – 0.8V): Transmitter on

(>0.8, < 2.0V): Undefined

High (2.0 – 3.465V): Transmitter Disabled

Open: Transmitter Disabled

3) Mod-Def 0,1,2. These are the module definition pins. They should be pulled up with a 4.7K – 10K resistor on the host board. The pull-up voltage shall be VccT or VccR .

Mod-Def 0 is grounded by the module to indicate that the module is present

Mod-Def 1 is the clock line of two wire serial interface for serial ID

Mod-Def 2 is the data line of two wire serial interface for serial ID

4) LOS (Loss of Signal) is an open collector/drain output, which should be pulled up with a 4.7K – 10K Ω resistor. Pull up voltage between 2.0V and VccT, R+0.3V. When high, this output indicates the received optical power is below the worst-case receiver sensitivity (as defined by the standard in use). Low indicates normal operation. In the low state, the output will be pulled to < 0.8V.

5) VeeR and VeeT may be internally connected within the SFP module.

6) RD-/+ : These are the differential receiver outputs. They are AC coupled 100 Ω differential lines which should be terminated with 100 Ω (differential) at the user SERDES. The AC coupling is done inside the module and is thus not required on the host board. The voltage swing on these lines will be between 400 and 2000 mV differential (200 –1000 mV single ended) when properly terminated.

7) VccR and VccT are the receiver and transmitter power supplies. They are defined as 3.3V \pm 5% at the SFP connector pin. Maximum supply current is 300mA. Recommended host board power supply filtering is shown below. Inductors with DC resistance of less than 1 ohm should be used in order to maintain the required voltage at the SFP input pin with 3.3V supply voltage. When the recommended supply-filtering network is used, hot plugging of the SFP transceiver module will result in an inrush current of no more than 30mA greater than the steady state value. VccR and VccT may be internally connected within the SFP transceiver module.

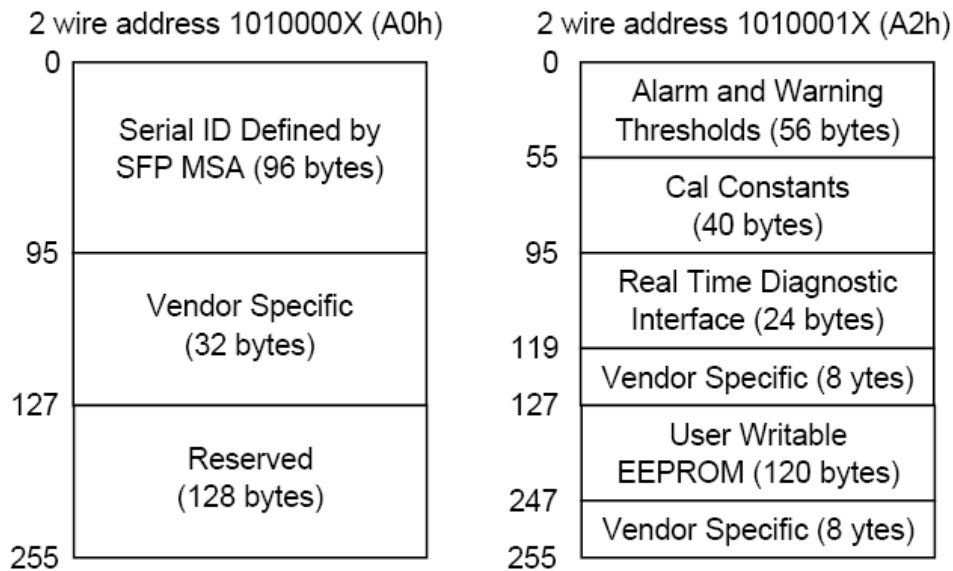
8) TD-/+ : These are the differential transmitter inputs. They are AC-coupled, differential lines with 100 Ω differential termination inside the module. The AC coupling is done inside the module and is thus not required on the host board. The inputs will accept differential swings of 400 – 2000mV (200 – 1000mV single-ended).

EEPROM

The serial interface uses the 2-wire serial CMOS EEPROM protocol defined for the ATMEL AT24C02/04 family of components. When the serial protocol is activated, the host generates the serial clock signal (SCL). The positive edge clocks data into those segments of the EEPROM that are not write-protected within the SFP transceiver. The negative edge clocks data from the SFP transceiver. The serial data signal (SDA) is bi-directional for serial data transfer. The host uses SDA in conjunction with SCL to mark the start and end of serial protocol activation. The memories are organized as a series of 8-bit data words that can be addressed individually or sequentially.

The Module provides diagnostic information about the present operating conditions. The transceiver generates this diagnostic data by digitization of internal analog signals. Calibration and alarm/warning threshold data is written during device manufacture. Received power monitoring, transmitted power monitoring, bias current monitoring, supply voltage monitoring and

temperature monitoring all are implemented. If the module is defined as external calibrated, the diagnostic data are raw A/D values and must be converted to real world units using calibration constants stored in EEPROM locations 56 – 95 at wire serial bus address A2H. The digital diagnostic memory map specific data field define as following .For detail EEPROM information, please refer to the related document of SFF 8472 Rev 9.3.



EEPROM Serial ID Memory Contents

Accessing Serial ID Memory uses the 2 wire address 1010000X(A0H). Memory Contents of Serial ID are shown in Table 1.

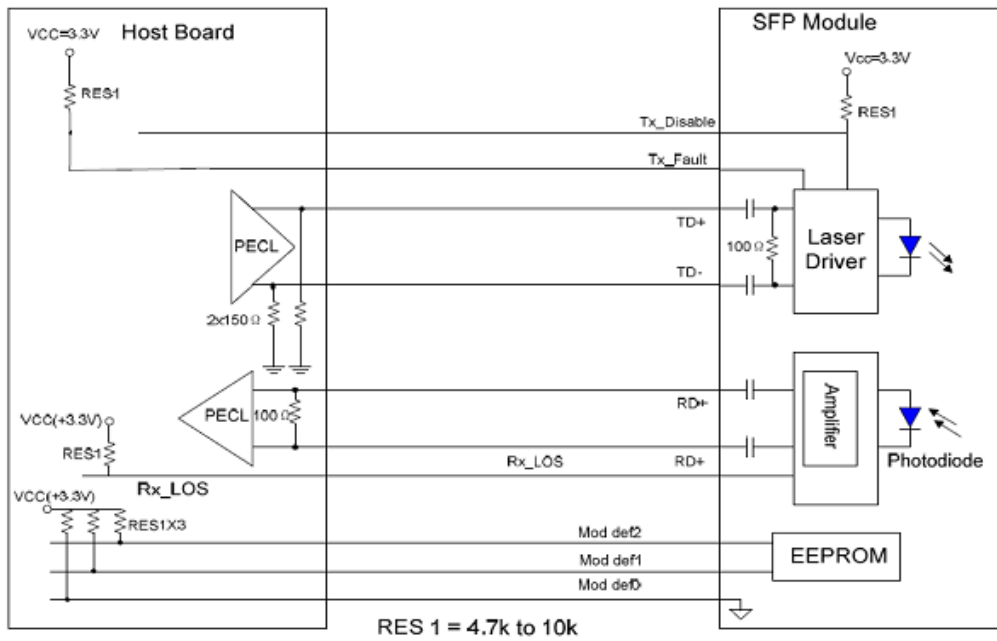
Table 1 Serial ID Memory Contents

Add.	Size (Bytes)	Name of Field	Hex	Description
BASE ID FIELDS				
0	1	Identifier	03	SFP
1	1	Ext. Identifier	04	SFP function is defined by serial ID only
2	1	Connector	07	LC Connector
3-10	8	Transceiver	00 00 00 02 12 00 01 01	Transmitter Code
11	1	Encoding	01	8B10B
12	1	BR, Nominal	0D	1.25Gbps
13	1	Reserved	00	
14	1	Length (9µm) km	0A/0F/14/1E/28	Transceiver Transmit Distance
15	1	Length(9µm) 100m	64/96/C8/FF/FF	
16	1	Length (50µm) 10m	00	
17	1	Length(62.5µm)10m	00	
18	1	Length (Copper)	00	Not Compliant

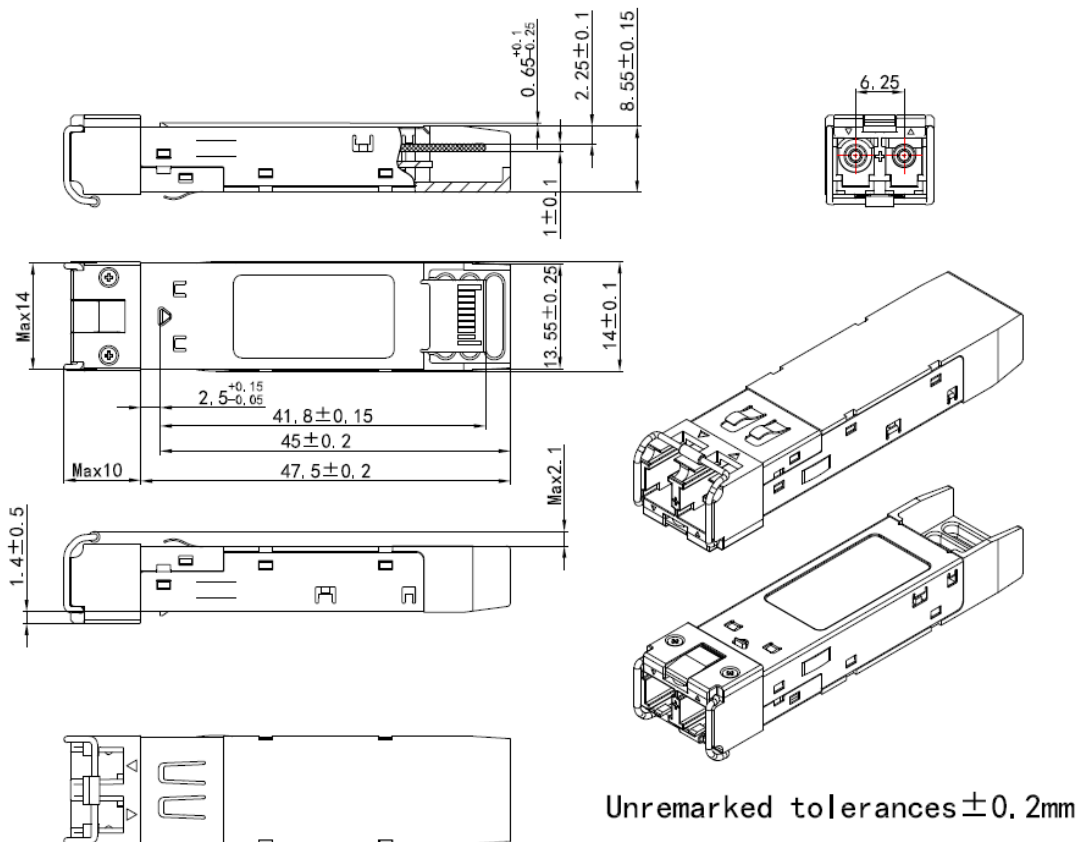
19	1	Reserved	00	
20-35	16	Vendor name	XX XX XX XX XX XX XX XX ^(Note20) 20 20 20 20 20 20 20 20	Vendor name (ASCII)
36	1	Reserved	00	
37-39	3	Vendor OUI	00 00 00	
40-55	16	Vendor PN	XX XX XX XX XX XX XX XX XX XX XX XX XX XX XX XX	Transceiver part number
56-59	4	Vendor rev	XX XX XX XX ^(Note20)	ASCII (31 30 20 20 means 1.0 revision)
60-61	2	Wavelength	05 1E	1310nm
62	1	Reserved	00	
63	1	CC_BASE	Check Sum (Variable)	Check Code for Base ID Fields
EXTENDED ID FIELDS				
64-65	2	Options	00 1A	TX_DISABLE, TX_FAULT and Loss of Signal implemented.
66	1	BR, max	00	
67	1	BR, min	00	
68-83	16	Vendor SN	XX XX XX XX XX XX XX XX 20 20 20 20 20 20 20 20 ^(Note20)	Serial Number of transceiver (ASCII). For example "B000822".
84-91	8	Date Code	XX XX XX XX XX XX XX XX ^(Note20)	Manufactory date code. For example "080405".
92	1	Diagnostic Monitoring Type	68	DD Implemented; Internally calibrated; Average Power
93	1	Enhanced Options	XX ^(Note20)	Optional Flags
94	1	SFF_8472 Compliance	XX ^(Note20)	01 for Rev9.3 SFF-8472.
95	1	CC_EXT	Check Sum (Variable)	Check Sum for Extended ID Field.
VENDOR SPECIFIC ID FIELDS				
96-127	32	Vendor Specific	Read Only	Depends on Customer Information
128-255	128	Reserved	Read Only	

Note20: The "XX" byte should be filled in according to practical case. For more information, please refer to the related document of SFP Multi-Source Agreement (MSA).

Recommend Circuit Schematic



Mechanical Specifications

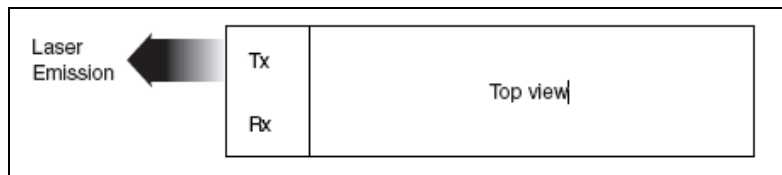


*This 2D drawing only for reference, please check with Eoptolink before ordering.

Laser Emission Data

Wavelength	1310nm
Total output power (as defined by FDA: 7mm aperture at 20cm distance)	<0.195mW
Total output power (as defined by IEC: 7mm aperture at 10cm distance)	<15.6mW
Beam divergence	12.5°

Laser Emission



Obtaining Document

You can visit our website: <http://www.eoptolink.com>

Or contact Eoptolink Technology Inc., Ltd. listed at the end of the documentation to get the latest document.

Revision History

Revision	Initiated	Reviewed	Approved	Revision History	Release Date
V3.a	Cathy	Kelly		Integrate 4 kinds of products & released.	Feb 23, 2010
V4.a	Kelly			Update LOGO&PN.	June 16, 2011
V4.b	Jans	Kelly		Integrate 5 products.	Sep 22, 2011
V4.c	Angela, Jans	Kelly		Update pin definition notes	Jan 23, 2013
V4.d	Jans	Kelly		Update the Pout of 10KM products.	June 13, 2013
V4.e	Angela	Kelly		Update regulatory compliance and LOSA&LOSD.	July 31, 2014
V4.f	Yi.Wan/ Young	Kelly/ Angela		Clear and definite internally calibrated in A0h.	Oct 21, 2014
V4.g	Elaine	Oliver/Kelly/ Angela		Update the standard protocol, regulatory compliance, the 2D drawing and the contact.	Jan 18, 2018
V4.h	Angela	Kelly/William /Chao.Wang		Updated the product image and 2D drawing.	April 17, 2018
V4.i	Angela	Kelly		Updated the regulatory compliance.	August 27, 2018
V4.j	Elaine	Kelly		Updated the center	Dec 4, 2018

				wavelength of 10KM.	
V4.k	Angela	Kelly/ Yiwei.Cheng		Updated the regulatory compliance information.	Dec 18, 2018

Notice:

Eoptolink reserves the right to make changes to or discontinue any optical link product or service identified in this publication, without notice, in order to improve design and/or performance. Applications that are described herein for any of the optical link products are for illustrative purposes only. Eoptolink makes no representation or warranty that such applications will be suitable for the specified use without further testing or modification.

Contact:

Add: No.127 West Wulian Street, Gongxing Town, Shuangliu district, Chengdu City, Sichuan, China.

Tel: (+86) 028-67087999 Fax:

(+86) 28-67087979-8010

Postal: 610213

E-mail: sales@eoptolink.com

<http://www.eoptolink.com>

<https://sfp.by>